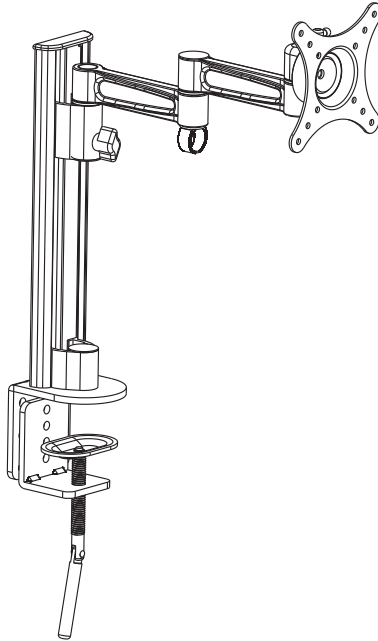


# Installation Instruction



## UNPACKING INSTRUCTIONS

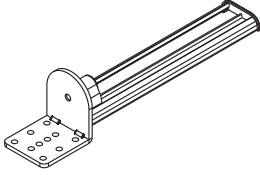
- Carefully open the carton, remove contents and lay out on cardboard or other protective surface to avoid damage.
- Check package contents against the Supplied Parts List in the next page to assure that all components were received undamaged. Do not use damaged or defective parts.
- Carefully read all instructions before attempting installation.

## IMPORTANT SAFETY INFORMATION

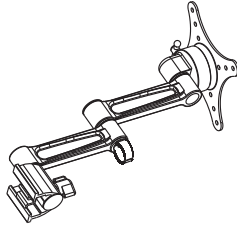
- Install and operate this device with care. Please read this instruction before installation, and carefully follow all instructions contained herein. Use proper safety equipment during installation.
- Please call a qualified installation contractor for help if you don't understand these directions or have any doubts about the safety of the installation.

Do not use this product for any purpose or in any configuration not explicitly specified in this instruction. We hereby disclaims any and all liability for injury or damage arising from incorrect assembly, incorrect mounting, or incorrect use of this product.

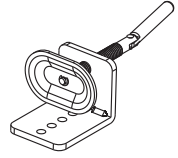
## Supplied Parts List



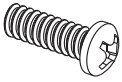
(1) Monitor Arm Support-a



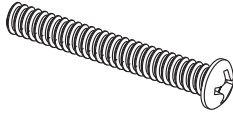
(1) Monitor Arm-b



(1) Disconnected  
"C" Clamp-c



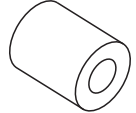
(4)M4x12 Bolt-d



(4)M4x30 Bolt-e



(8)M4 Washer-f



(4)M4 Space-g



(2)M8x12 Bolt-h



(1)Allen Key-i

**Tools Required**

**Phillips Screwdriver**



**WARNING**

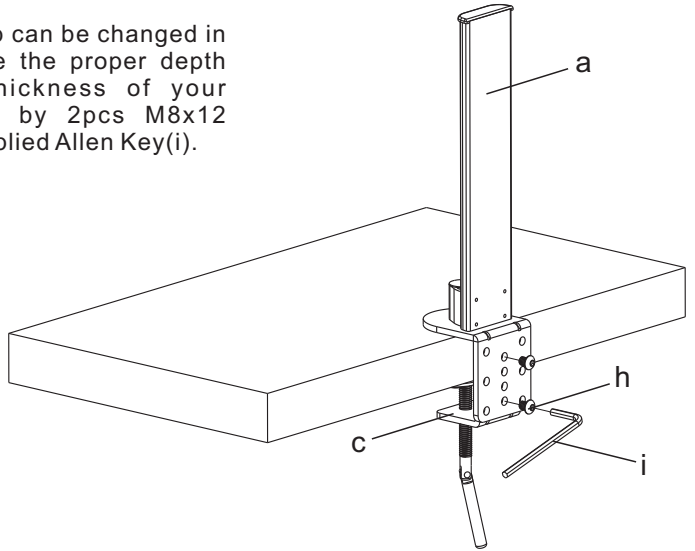
## CAUTION!

This monitor desktop mount must be securely attached to the horizontal desk. If the mount is not properly installed it may fall, resulting in possible injury and/or damage.

## Step 1

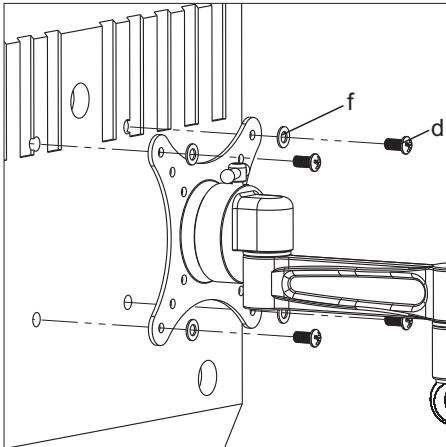
## Install the “C” Clamp According to the Desktop Thickness

The depth of “C” clamp can be changed in two positions. Choose the proper depth according to the thickness of your desktop. Connect it by 2pcs M8x12 bolts(h), using the supplied Allen Key(i).

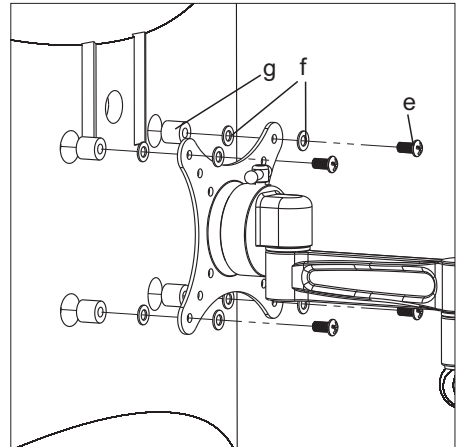


## Step 2

## Mount the Monitor to VESA Plate



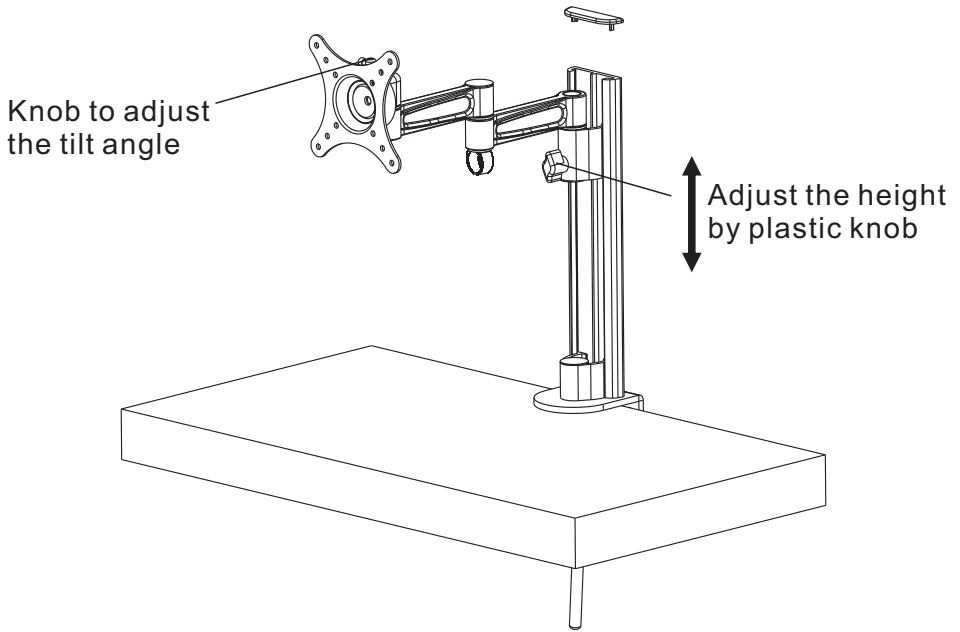
For Flat Back Monitor



For Curved Back Monitor

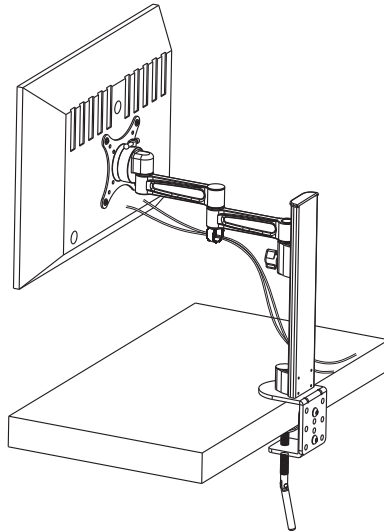
**Step 3**

**Insert the Monitor Arm, adjust the Height & Tilt Angle**



**Step 4**

**Manage the Wires by Plastic Ring**



**Thanks for choosing our products, enjoy the using.**